

#1561 7540

S/N 09/954,616

PATENT #14
JP
7/30/03



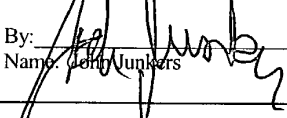
Date of Notice of Allowance: MARCH 11, 2003
Confirmation No.: 9053

IN THE UNITED STATES PATENT AND TRADEMARK OFFICE

Applicant:	WOOLFORD ET AL.	Examiner:	F. LAGMAN
Serial No.:	09/954,616	Group Art Unit:	3673
Filed:	SEPTEMBER 17, 2001	Docket No.:	3616.20USC6
Title:	COMPOSITE MASONRY BLOCK		

CERTIFICATE UNDER 37 CFR 1.10:
 "Express Mail" mailing label number: EV347849844US
 Date of Deposit: June 11, 2003

I hereby certify that this correspondence is being deposited with the United States Postal Service "Express Mail Post Office to Addressee" service under 37 CFR 1.10 on the date indicated above and is addressed to Mail Stop Issue Fee, Commissioner for Patents, P.O. Box 1450, Alexandria, VA 22313-1450.

By: 
 Name: Jerry Junkers

SUBMISSION OF FORMAL DRAWINGS

Mail Stop Issue Fee
Commissioner for Patents
Attn: Official Draftsman
P.O. Box 1450
Alexandria, VA 22313-1450



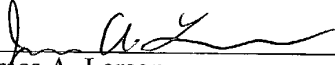
Dear Sir:

Submitted herewith are 5 sheet(s) of Formal Drawings for completion of this application, and in compliance with the requirements of the Official Communication from the Examiner dated March 11, 2003.

Respectfully submitted,

MERCHANT & GOULD P.C.
P.O. Box 2903
Minneapolis, Minnesota 55402-0903
(612) 332-5300

Date: June 11, 2003


James A. Larson
Reg. No. 40,443
JAL:PSTkaw

03-03



6616382

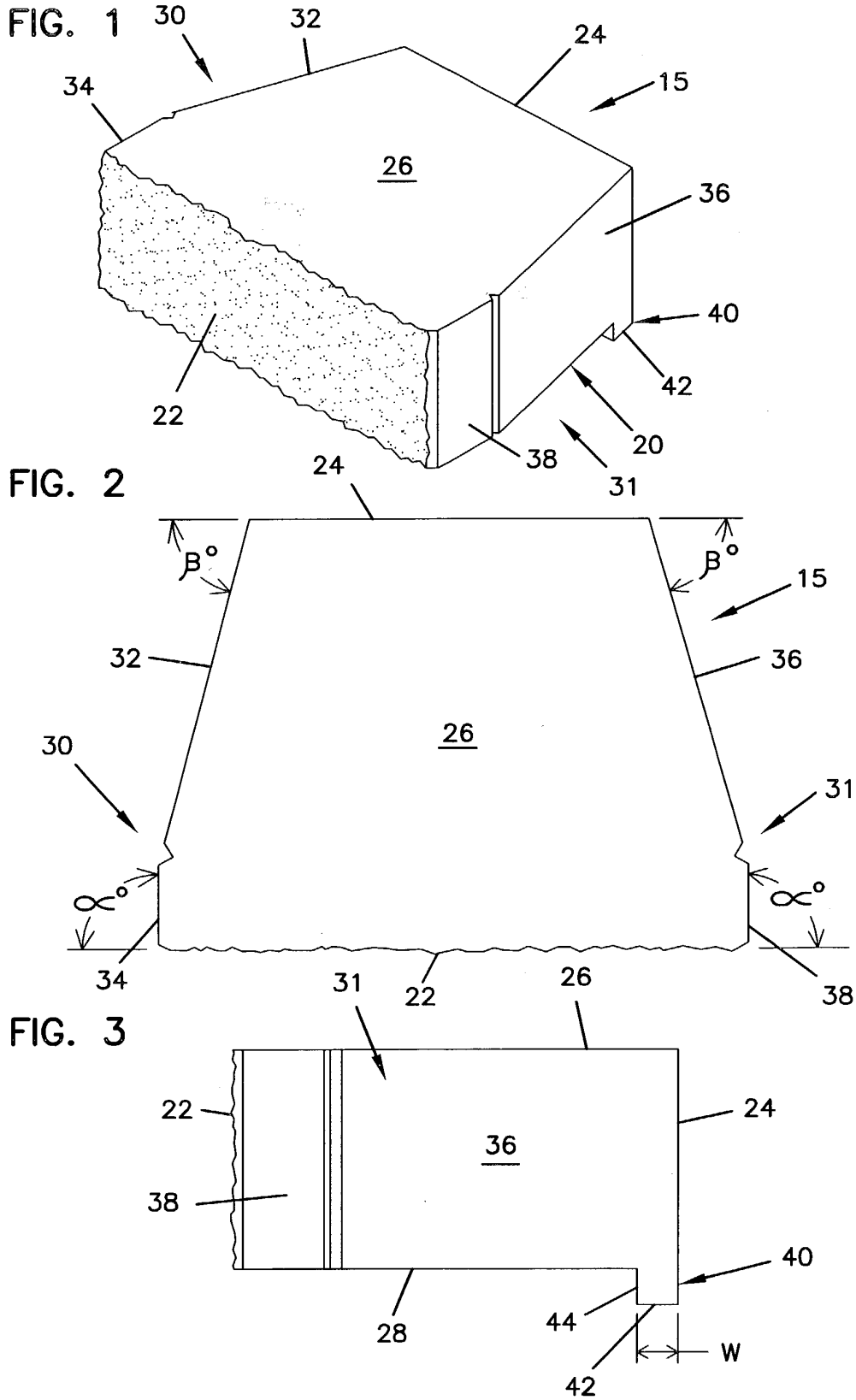




FIG. 4

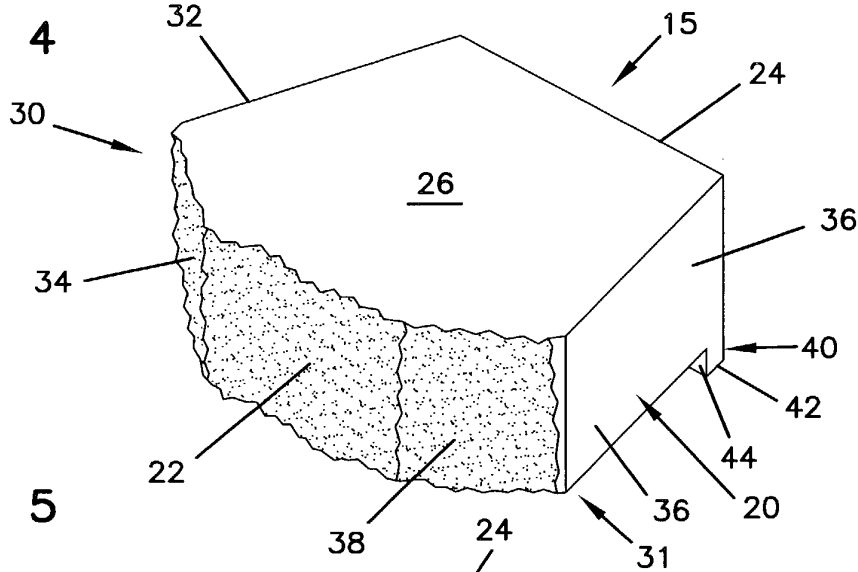


FIG. 5

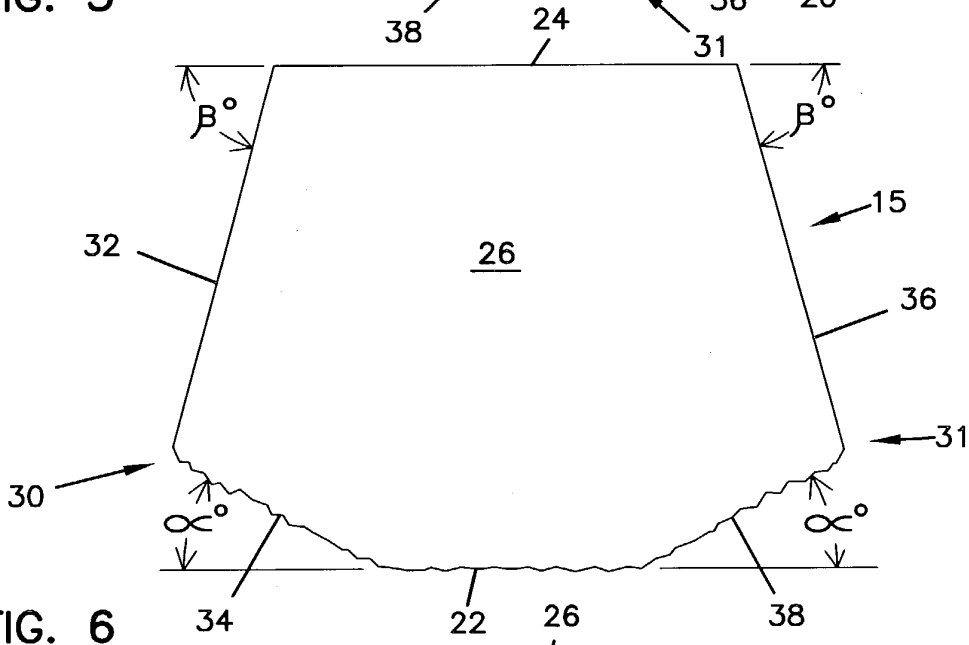


FIG. 6

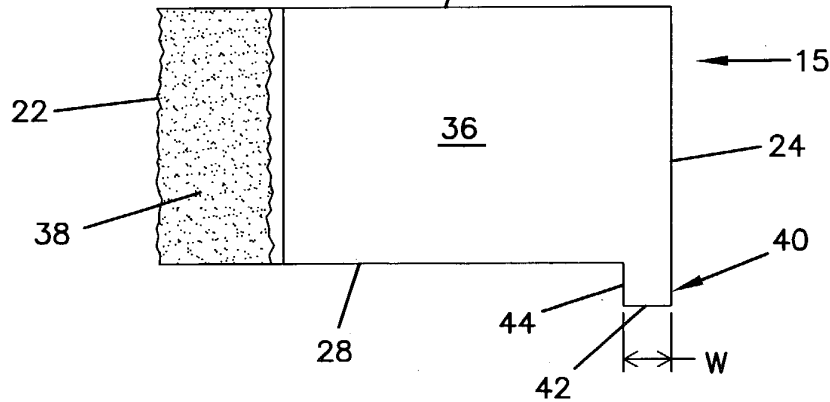




FIG. 7

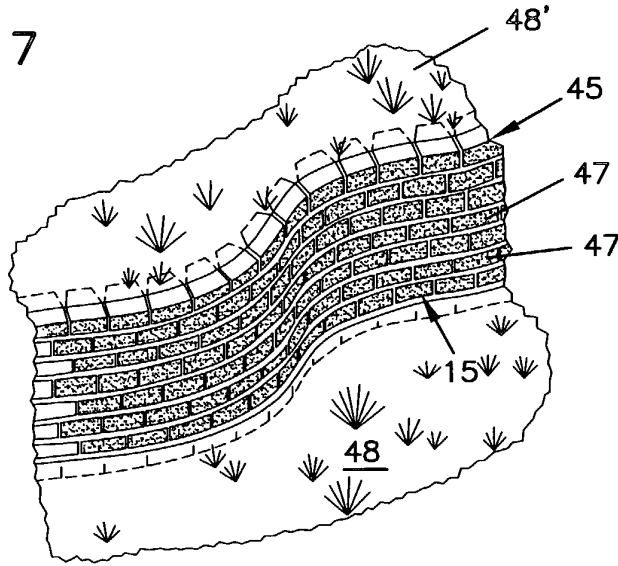


FIG. 8

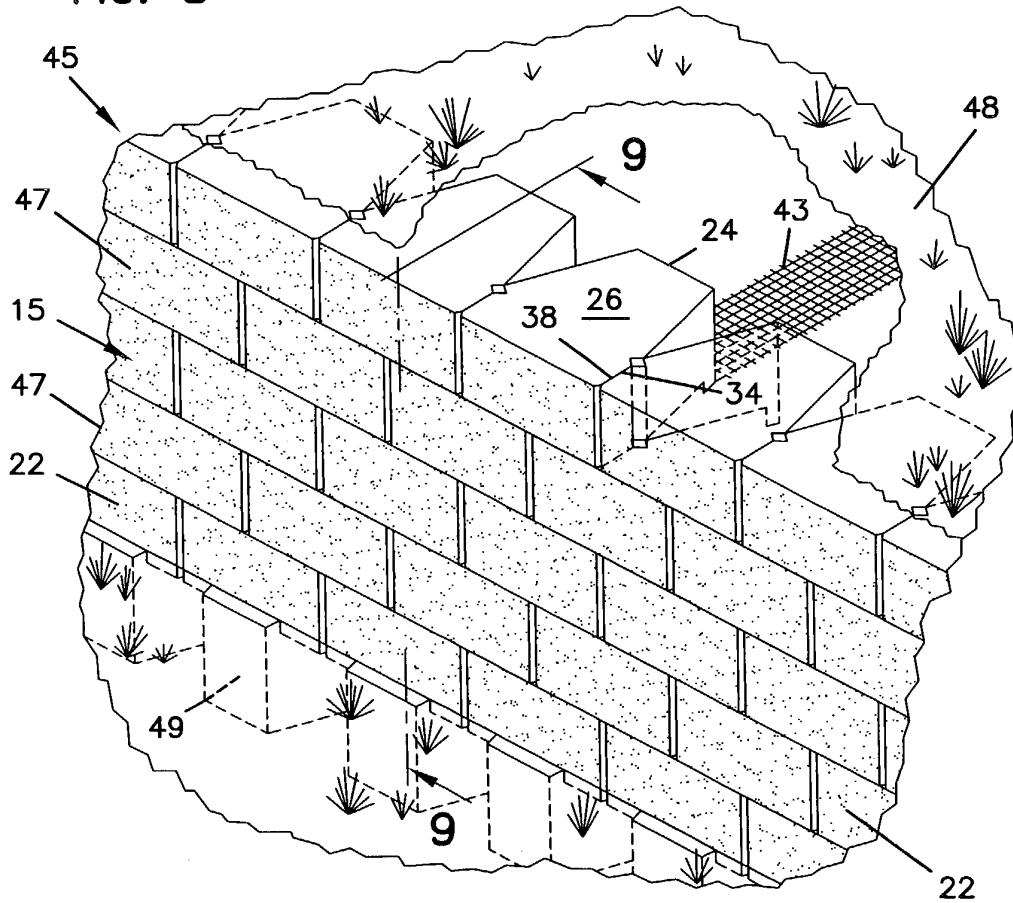




FIG. 9

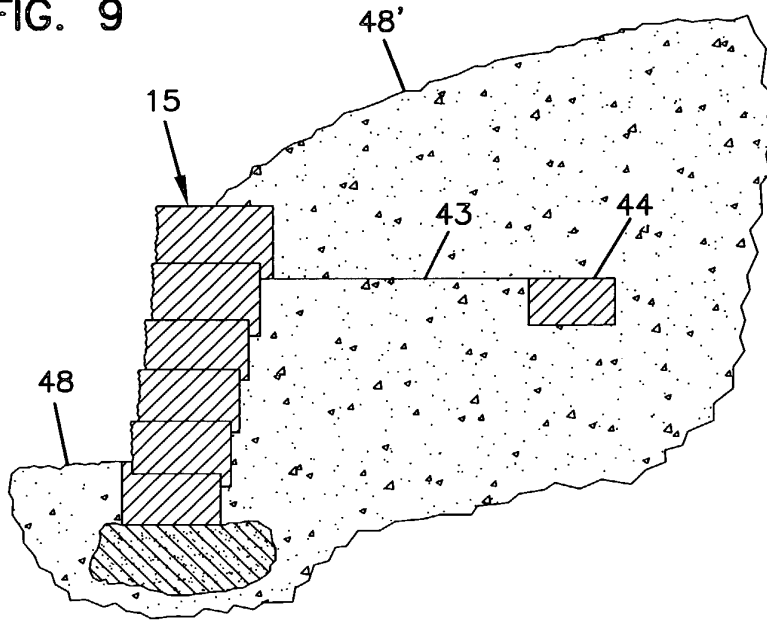


FIG. 10

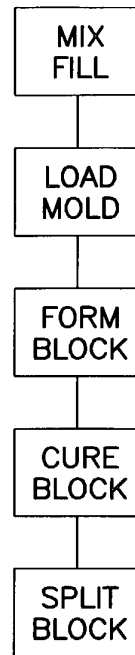


FIG. 11

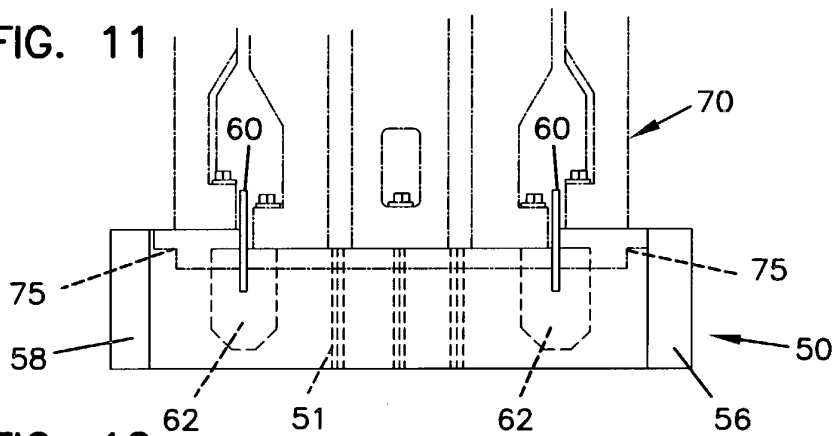


FIG. 12

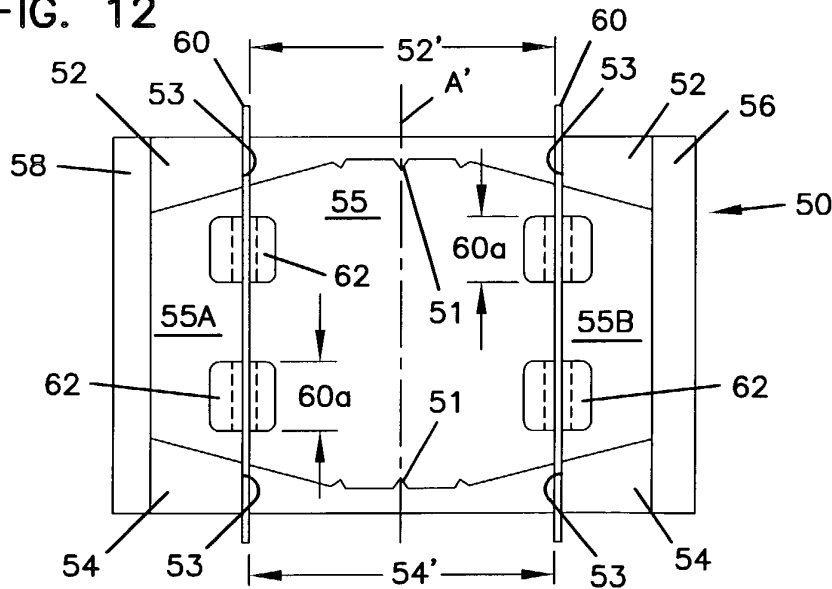




FIG. 13

